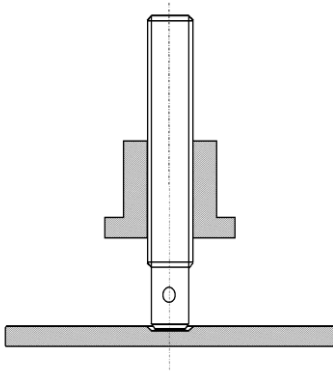


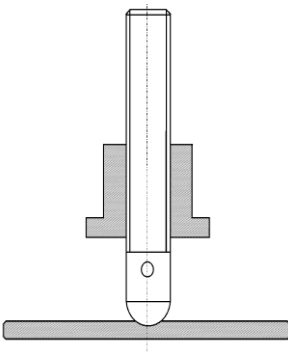
SUPPORT FEET

FLAT FOOT



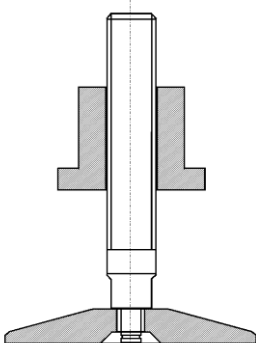
Pin				Base		Bushing	
Tipo	L	M	Passo	D	S	d	H
P 27	140	28	3	115	10	60	30
P 30	140	30	3	115	10	60	30
P 35	200	35	3	130	12	70	40
P 40	200	40	3	150	12	70	40

RAYED FOOT



Pin				Base		Bushing	
Tipo	L	M	Passo	D	S	d	H
R 27	150	28	3	115	10	60	30
R 30	150	30	3	115	10	60	30
R 35	150	35	3	130	12	70	40
R 40	150	40	3	150	12	70	40

FOOT S



Pin				Base		Bushing		
Tipo	L	M	Passo	K/d(*)	D	S	d	H
S 27	150	28	3	25,5/10	105	12	60	30
S 30	150	30	3	26,5/10	105	12	60	30
S 35	150	35	3	29,5/12	130	22	70	40
S 40	150	40	3	34,5/12	130	22	70	40

(*) It is available, as an alternative to key milling, the hole **d**.

Available in stainless steel AISI 304L - AISI 316L