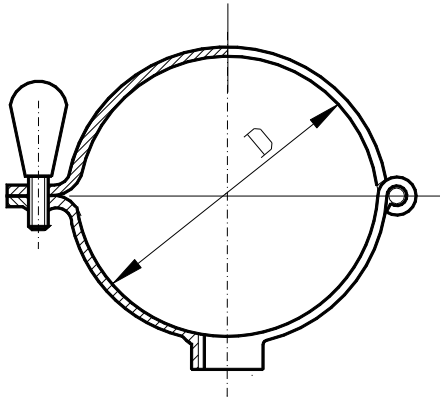


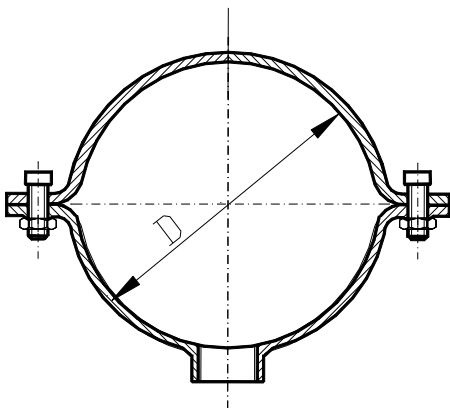
CLAMPS

SINGLE PIN CLAMP



DIMENSIONS		D
DN	INCHES	
	3/8"	17,0
	1/2"	21,3
		25,4
	3/4"	26,9
DN25		28,0
	1"	33,7
DN32		34,0
		38,0
DN40		40,0
	1" 1/4	42,4
	1" 1/2	48,3
DN50		50/52
	2"	60,3
		63,5
DN65		70,0
	2" 1/2	76,1
		80,0
DN80		85,0
	3"	88,9
DN100	3" 1/2	101,6
		104,0

CLAMPS IN TWO PARTS



DIMENSIONS		D
DN	INCHES	
	3" 1/2	101,6
		104,0
DN100	4"	114,3
		120,0
		124,0
		129,0
DN125	5"	139,7
		153,0
DN150	6"	168,3
		204,0
DN200	8"	219,1
DN250	10"	273,0

Disponibili in acciaio inox AISI 304L - AISI 316L