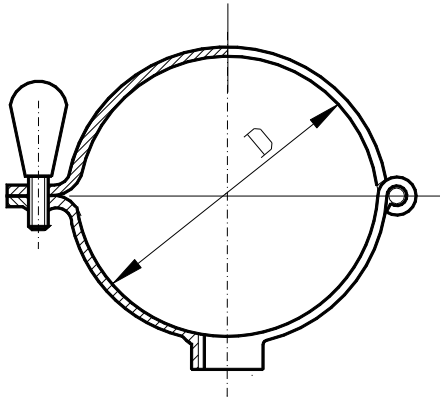


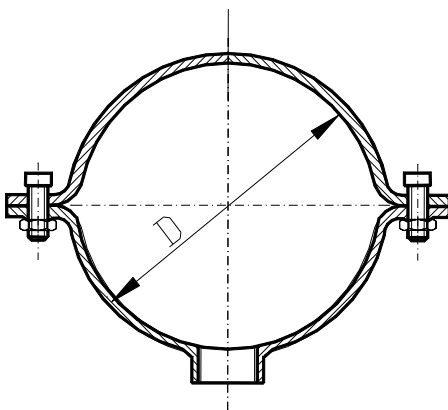
REGGITUBO

REGGITUBO A CERNIERA



| DIMENSIONI | | D |
|------------|---------|-------|
| DN | POLLICI | |
| | 3/8" | 17,0 |
| | 1/2" | 21,3 |
| | | 25,4 |
| | 3/4" | 26,9 |
| DN 25 | | 28,0 |
| | 1" | 33,7 |
| DN 32 | | 34,0 |
| | | 38,0 |
| DN 40 | | 40,0 |
| | 1 1/4" | 42,4 |
| | 1 1/2" | 48,3 |
| DN 50 | | 50/52 |
| | 2" | 60,3 |
| | | 63,5 |
| DN 65 | | 70,0 |
| | 2 1/2" | 76,1 |
| | | 80,0 |
| DN 80 | | 85,0 |
| | 3" | 88,9 |
| DN 100 | 3 1/2" | 101,6 |
| | | 104,0 |

REGGITUBO IN DUE PARTI



| DIMENSIONI | | D |
|------------|---------|-------|
| DN | POLLICI | |
| | 3 1/2" | 101,6 |
| | | 104,0 |
| DN 100 | 4" | 114,3 |
| | | 120,0 |
| | | 124,0 |
| | | 129,0 |
| DN 125 | 5" | 139,7 |
| | | 153,0 |
| DN 150 | 6" | 168,3 |
| | | 204,0 |
| DN 200 | 8" | 219,1 |
| DN 250 | 10" | 273,0 |

Disponibili in acciaio inox AISI 304L - AISI 316L